



FOSC 400

Fiber Optic Splice Closures

- Butt splice closures
- Heat-shrink technology
- Hinging trays
- Superior fiber management

The FOSC name has been synonymous with excellence in sealing, fiber management, ease of use, and design flexibility since the FOSC 100 closure was first introduced in 1986. FOSC closures have always been engineered specifically for fiber optic applications; they are not modified copper closures. The difference shows—ask someone who has worked with the product.

FOSC 400 closures combine proven fiber management hardware with a highly reliable sealing system. Base-to-dome seals on FOSC 400 closures are mechanical for ease of installation and re-entry, and cable seals feature a unique Tyco Electronics heat-shrink sleeve and hot-melt adhesive system that is installed with a hot-air gun. Common materials, accessories, and practices are used throughout the product line to simplify training, reduce inventory, and enhance productivity.

FOSC 400 fiber optic splice closures are available in four sizes: FOSC 400 A, FOSC 400 B, FOSC 400 C, and FOSC 400 D, with multiple styles in some sizes. All sizes are designed for use with any cable construction (loose buffer tube, central core tube, loose fiber, and ribbon), in any environment (aerial, pedestal, buried, handhole, and manhole), and for numerous splice applications (express, tap-off, branch, and repair).

FOSC 400A and A8 Closures

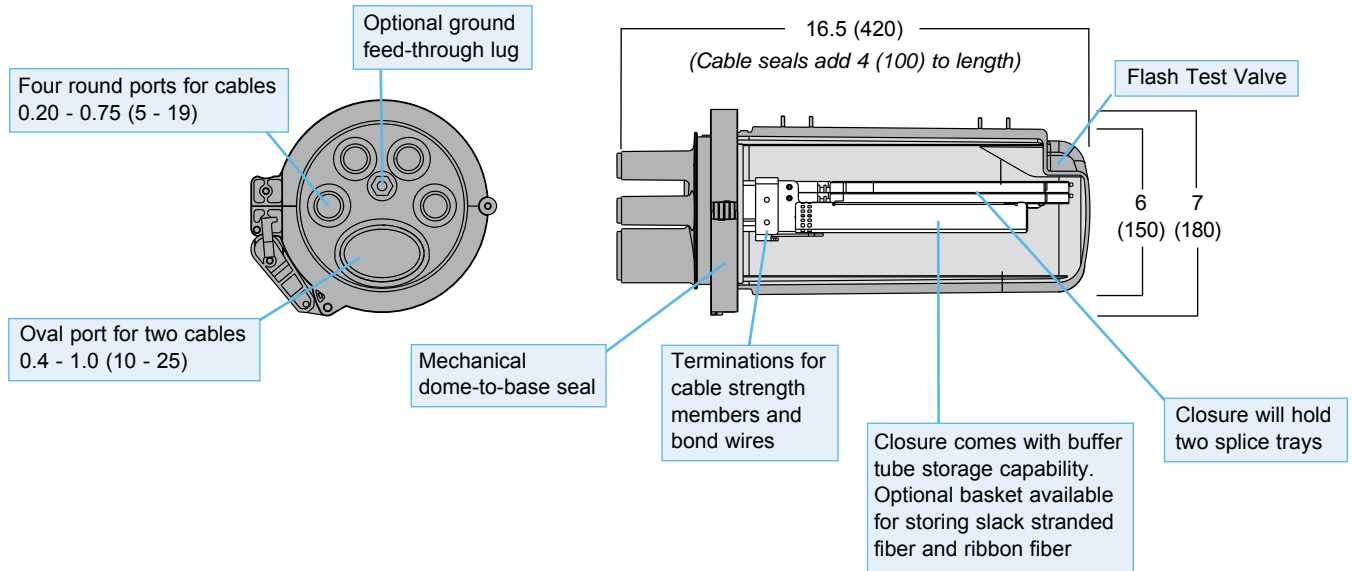
These are the smallest of the FOSC 400 closures. The A8 is intended for low fiber count cable splices and “tap-off” splices. Tap-off splices are those where most of the fibers in a cable are “expressed” uncut through the closure and only a few fibers are cut and re-spliced to feed a building or Optical Network Unit (ONU). The FOSC 400 A4 closure comes ready to store expressed loose buffer tubes. An optional slack storage basket is available for express stranded fiber and ribbon fiber.

The A8 closure provides a compact solution for the Fiber-To-The-Home (FTTH) market. The eight round ports base provides an excellent platform for single or multi-fiber drops while maintaining the proven reliability of FOSC splice closures.

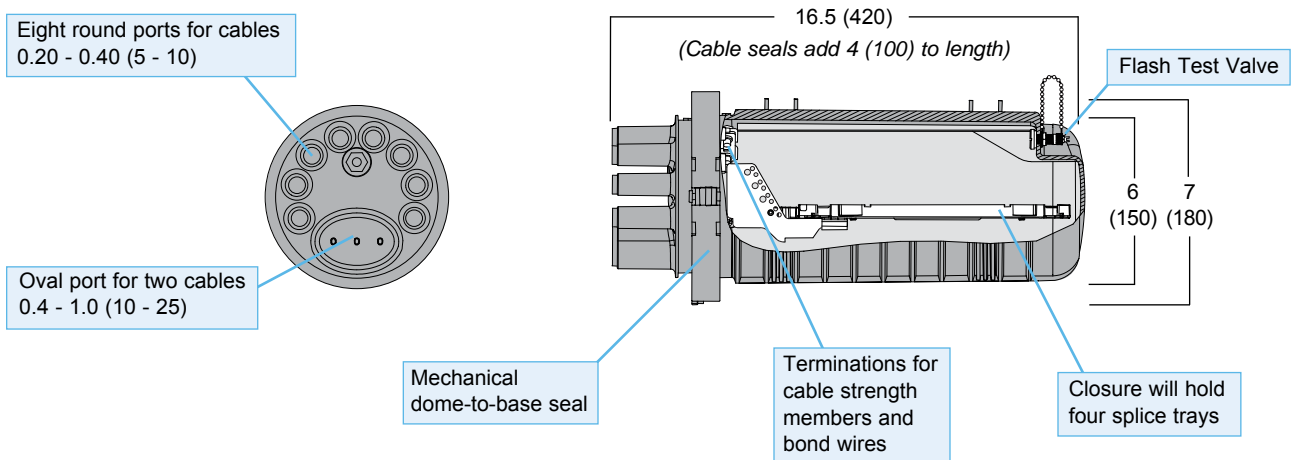
The individual drop port approach simplifies the provisioning, repair, and restoration of subscribers. The ability to house pre-configured splitters as well as up to eight adapters in a specially modified basket makes this closure an ideal solution in today’s Passive Optical Network (PON).

As with all FOSC 400 closures, the slack storage and splice capacity of the FOSC 400 A4 closure depends on a number of factors including cable construction, splice type, and slack fiber lengths. Refer to the Closure Capabilities chart for more details.

FOSC 400 A4 Closure



FOSC 400 A8 Closure

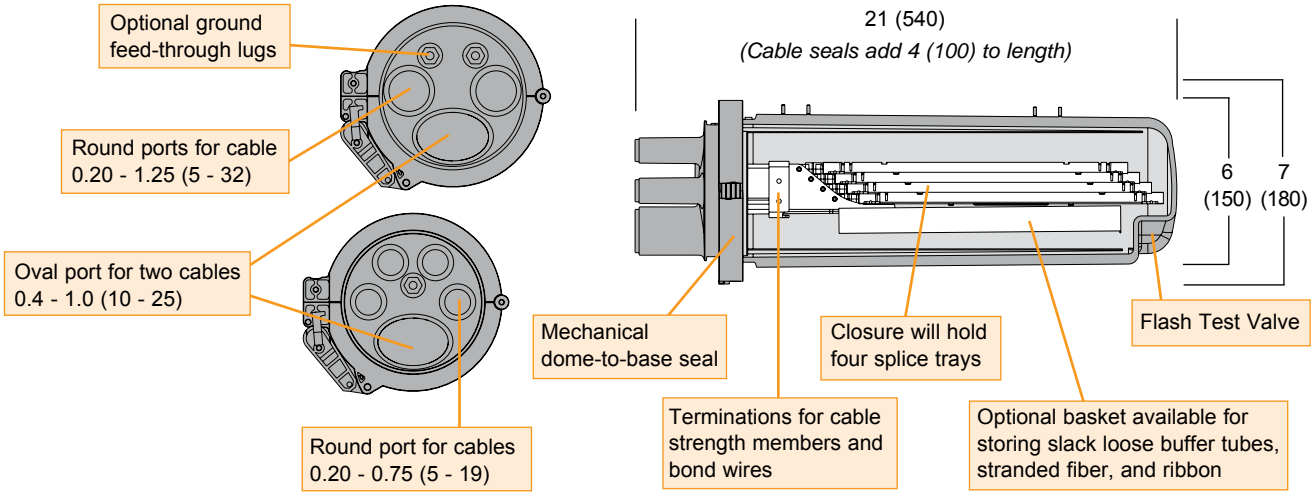


Dimensions shown in inches (millimeters)

FOOSC 400 B2 and B4 Closures

These two closures are identical except for their end cable port configurations. In addition to a large oval port for the main distribution cable, the B2 closure has two large round ports for branch cable splices and the B4 closure has four small round ports for multiple drop applications.

The FOOSC 400 cable sealing system provides a great deal of flexibility. For example, four small cables can be terminated in the two round ports of a B2 closure with the use of branch-off clips. It is also possible to terminate three cables in the oval port of either closure.

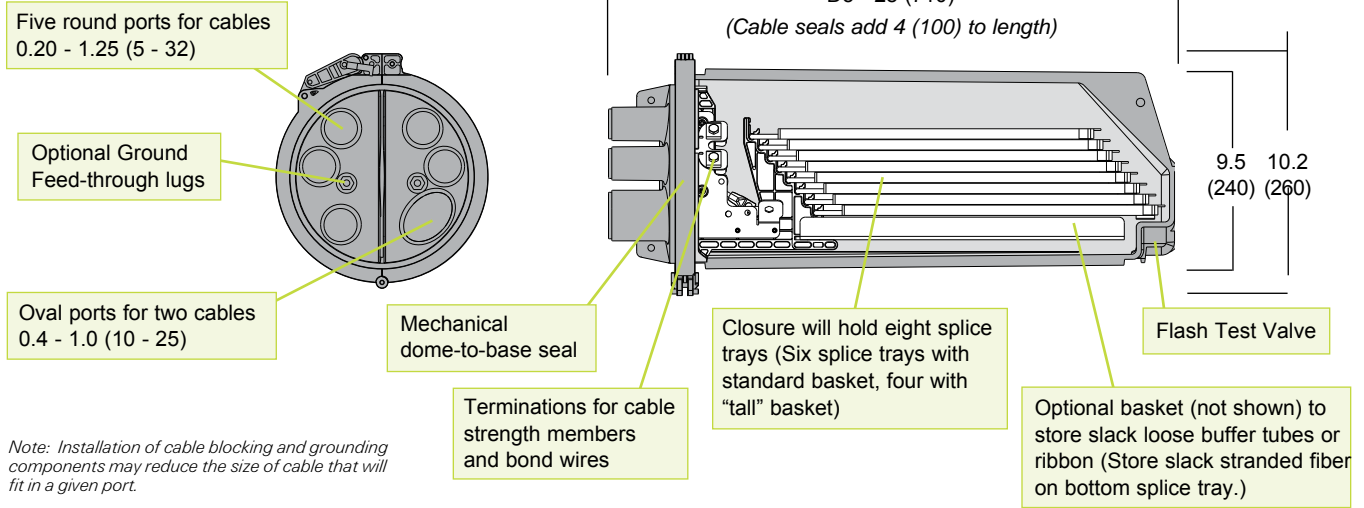


FOOSC 400 C5 and D5 Closure

The D5 is the largest of the FOOSC 400 closures. It has one oval port, five large round ports and can terminate seven cables (or up to twelve cables with the use of branch-off clips). The splice capacity is 288 single mechanical, 576 single fusion, or 1728 mass fused fibers. The versatile slack basket can store ribbon fiber or expressed, uncut loose buffer tubes.

The C5 is the same diameter as the D5 and uses the same base, but incorporates a shorter C tray and shorter dome for a closure that is 7 inches shorter than the D5.

FOOSC 400 D5 Closure (shown)



Note: Installation of cable blocking and grounding components may reduce the size of cable that will fit in a given port.

Closure	Spliced Fiber Storage Capacity		
	Single Fusion	Single Mechanical*	Mass Fusion
FOOSC 400 A4, A8	48-A4, 96-A8	24	144
FOOSC 400 B2, B4	96	48	288
FOOSC 400 C5	192	96	864
FOOSC 400 D5	576	288	1728

*Varies with splice type. Capacity shown is for most commonly used mechanical splices.

FOSC 400 Closures and Accessories

FOSC 400 - XX - XX - X - XXX

Closure Size (inches)

- A - 8 dia. x 19 1/2 long
- B - 8 dia. x 25 long
- C - 11 1/2 dia. x 23 long
- D - 11 1/2 dia. x 31 long

Cable Entry Ports (in addition to oval port)

All closures include an oval port for pass through cables

- 2 - B closure only
- 4 - A and B closures only
- 5 - C and D closures only
- 8 - A closure only

Capacity (or type) of Splice Tray

- 12 - A, B, or C tray w/two SM6 splice modules
 - 24* - A, B or C tray w/two SM12 splice modules
 - 36 - D tray with six SM6 splice modules
 - 72* - D tray with six SM12 splice modules
 - R1 - A, B size ribbon tray (accommodates 12 ribbons/144 fibers)
 - R2 - D size ribbon tray (24 ribbons/288 fibers)
 - R3 - C size ribbon tray (18 ribbons/216 fibers)
 - SF - Stackable single fusion trays (12 splices)
 - NT - No trays
- *Note: SMOUV (1120-01-US) splice protection sleeves should be used with SM12 splice modules.*

Number of Splice Trays

0 or 1 is standard

Cable Blocking Components

- B - Blocking
- N - None

Ground Feed-through Lugs

- G - Grounding
- N - None

Valve for Flash Test

- V - Valve
- N - No Valve

Cable Seals

FOSC ACC Cable Seal - 1 - B T

Where Used

- 1 - Round port
- 2 - Oval Port

Type of Cable Seal

- T - Tubular
- W - Wraparound

Cable Blocking Components

- B - Blocking
- N - None

Note: Cable seal kits include cable termination components.

Splice Trays - Single Fiber Trays

FOSC ACC D Tray 36

Closure Size

- A, B, C, or D

Splice Capacity of each Organizer Tray

- A Tray: 12, 16, or 24
- B Tray: 12, 16, or 24
- C Tray: 12 or 24
- D Tray: 36, 48, or 72

Splice Tray - Ribbon Fiber

FOSC-ACC-A/B-TRAY-12-RIBN	Fits FOSC A and B size closures. Handles 12, 12 fiber ribbon splices (144 fibers)
FOSC-ACC-C-TRAY-RIBN-18	Fits FOSC 400 C and 450 C closures. Handles 18, 12 fiber ribbon splices (216 splices)
FOSC-ACC-D-TRAY-RIBN-24	Fits FOSC D closures. Handles 24, 12 fiber ribbon splices (288 fibers)

Note: Splice trays are packaged two per box.

Slack Fiber Storage Baskets

FOSC ACC B-Basket (-B)

Closure Size

Include "-B" if cable blocking sleeves required for express (uncut) cable.

Note: "D" basket is available in standard and tall sizes. Standard size takes up two tray locations and tall size takes up four tray locations.